

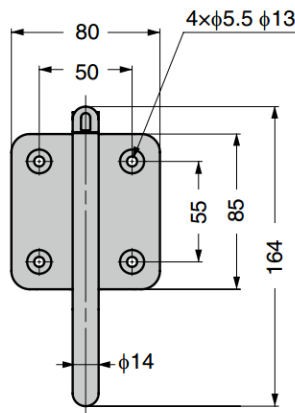
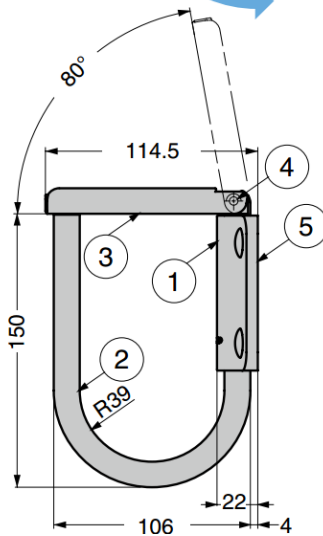
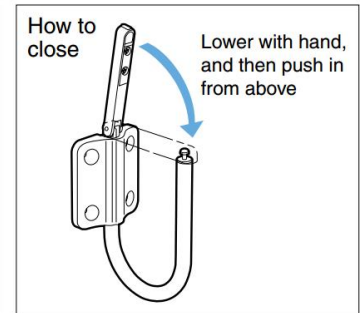
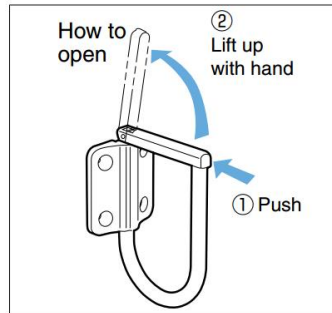
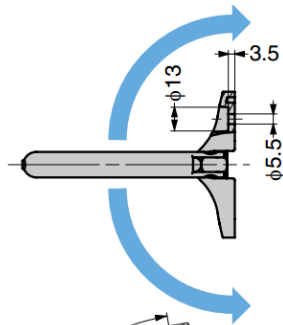
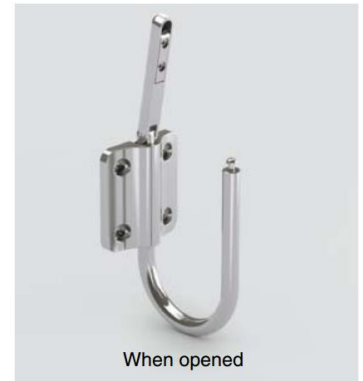
GJN-T100 Large Swing Latch Hook With Friction

Features

- Swivels 180°, friction prevents unintentional swinging
- Closed arm prevents hooked items from falling off
- Suitable for hanging cables, ropes and pipes, etc.

Parts Included

- Binding head tapping screw 5×30 (SUS)



No.	Part Name	Material	Finish
①	Strike	Stainless Steel (SCS13)	Polished
②	Hook	Stainless Steel (SUS303)	
③	Arm	Stainless Steel (SCS13)	
④	Shaft	Stainless Steel (SUS303)	Plain
⑤	Back Plate	Stainless Steel (SUS304)	

Part No.	Load Capacity	
GJN-T100	392 N	40 kg